

VANTEL-29-NE CUTAWAY

Telescopic Aerial Device

PLATFORM CAPACITY: Up to 350 lbs. (159kg)

WORKING HEIGHT: 34ft 10in. (10.6m)

HORIZONTAL REACH: 22ft. 7in. (6.88m)



The **VERSALIFT** product line has grown to encompass models for every market. Whether it be a 29' man lift or a 108' material handler, there is a **VERSALIFT** to get the job done.

For more information

Versalift
254.399.2100
www.VERSALIFT.com

VANTEL-29-NE CUTAWAY



Telescopic Aerial Device

GENERAL SPECIFICATIONS

Horizontal Reach
Standard Platform Capacity
Outer Boom Travel
Inner Boom Extension
Height to Bottom of Platform
Working Height
Stowed Travel Height
Weight of Lift W/ Mounting Hardware
Operating Pressure
Flow Rate
Filtration
System Type

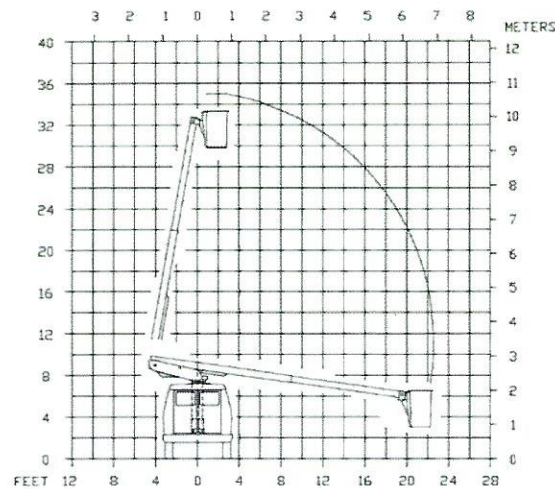
VANTEL-29-NE CUTAWAY

22 ft. 7 in. (6.88m)
300 lbs. (136kg)
-8° to +80°
116 in. (2.95m)
29 ft. 10 in. (9.09m)
34 ft. 10 in. (10.6m)
9'-9" (2.97m)
1530 lbs. (694 kg)
2250 PSI (158 KG/CM²)
2 GPM (8 lpm)
10 micron return/ 100 mesh suction
Open Center

OPTIONS:

- EMERGENCY LOWERING
- BACK UP PUMP
- PNEUMATIC CIRCUIT(S) TO THE PLATFORM
- VARIOUS PLATFORMS, DOORS AND COVERS
- BUMPER EXTENSIONS
- 120 VOLT RECEPTACLE AT PLATFORM
- MANUAL PLATFORM POSITIONER
- ELECTRIC DRIVE

REACH DIAGRAM



NOTE:

1. Specifications might vary without prior notification
2. Required GVWR can vary significantly with chassis, lift mounting location, service body, accessories, and desired payload